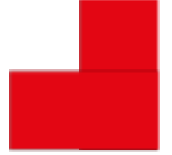


France 1928

CADDIE SAS



SAGAR
GENERAL TRADING L.L.C.

Présentation



CADERGO SECURITY

Reference : 7 777 30



Volume (in L)

The Cadergo Security has a capacity of 105L



Weight (in kg)

The Cadergo Security has a weight of 20 kg



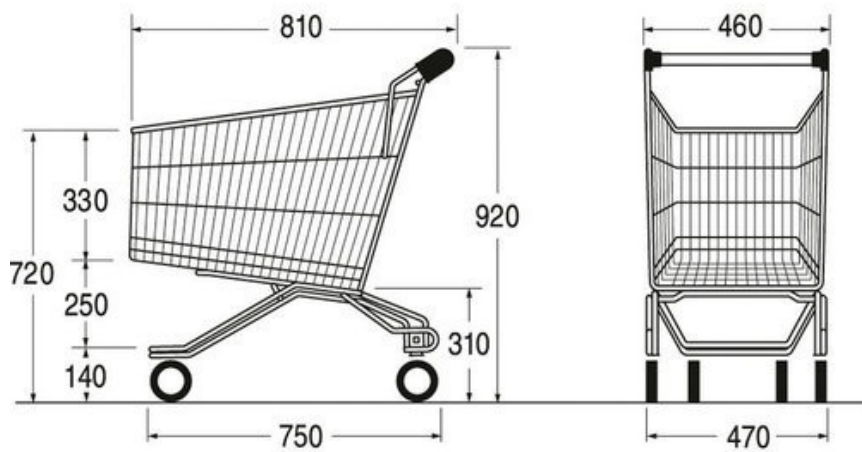
Load capacity (in kg)

The Cadergo Security has a load capacity of 105 kg



Nesting (in mm)

The Cadergo Safety has a Nesting distance of 225 mm and for 10 carts of 2835 mm



Product description

- One-piece construction
- Finish: Zinc plated steel
- 4 Caddistar swivel castors Ø100/125mm
- The international reference
- Ideal for stores of -1000m².
- Cart based on the Super Caddie
- Specially designed for international distribution and transport

Standard accessories

- ✓ Caddistar metal castors Ø100 / 125 mm
- ✓ Round handle
- ✓ Plain Backflap
- ✓ Zinc plated coating
- ✓ Bag hook

Accessories and added values

- Advertising sign / Plastic kit
- Child seat backflap / Silent kit
- Caddiroc coating
- Euroloc handle / Coin lock
- Ovaly handle / Coin lock

SAGAR

caddie
France 1928

RAL
3000

RAL
5002

RAL
7016



CADERGO SECURITY

Reference : 7 778 32



Volume (in L)

The Cadergo Security has a capacity of 125L



Weight (in kg)

Cadergo Security has a mass of 22 kg.



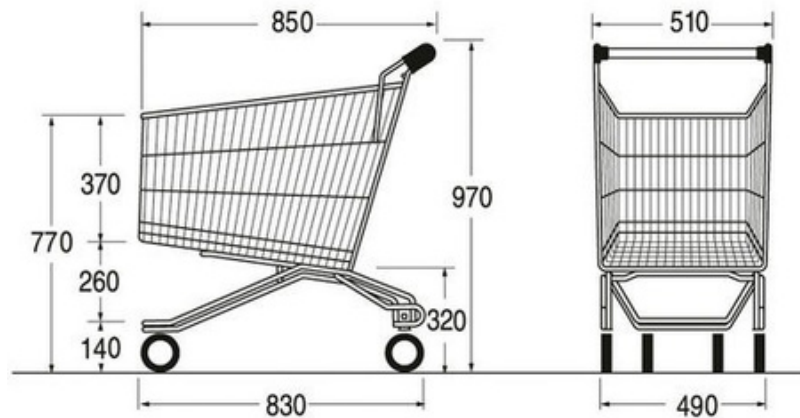
Load capacity (kg)

Cadergo Security has a load capacity of 125 kg.



Nesting (in mm)

Cadergo Security has a nesting distance of 215 mm and for 10 carts of 2785 mm.



Product description

- One-piece construction
- Finish: Painted zinc-coated steel
- 4 Caddistar Ø125mm swivel castors
- The international reference
- Ideal for -1000m² stores
- Cart based on the Super Caddie
- Specially designed for international distribution and transport

Standard accessories

- ✓ Caddistar metal wheels Ø125 mm
- ✓ Round handle
- ✓ Plain backflap
- ✓ Zinc-plated coating
- ✓ Bag hook

Accessories and added values

- Advertising sign / Plastic kit
- Child seat backflap / Silence kit
- Caddiroc coating
- Euroloc handle / coin lock
- Ovaly handle / coin lock

SAGAR





CADERGO SECURITY

Reference : 7 781 32



Volume (in L)

Cadergo Security has a capacity of 160L



Weight (in kg)

Cadergo Security has a mass of 26 kg.



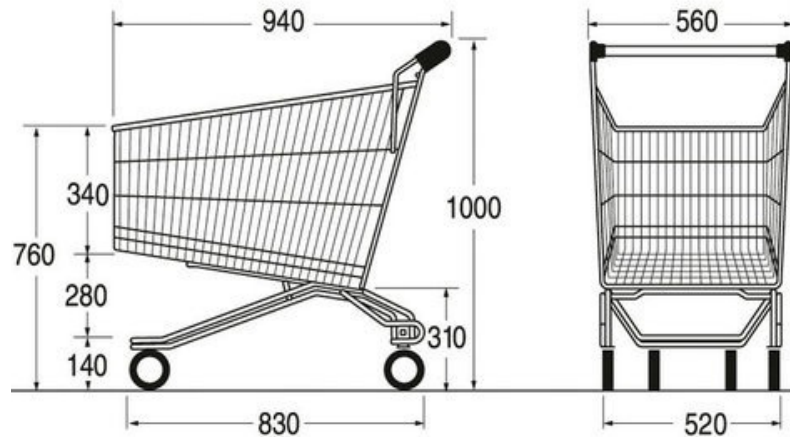
Load capacity (in kg)

Cadergo Security has a load capacity of 160 kg



Nesting (in mm)

Cadergo Security has a nesting distance of 222 mm and for 10 trolleys of 2938 mm.



Product description

- One-piece construction
- Finish: Varnished zinc-coated steel
- 4 Caddistar Ø125mm swivel castors
- The international reference
- Ideal for shops of over 1000m²
- Trolley based on the Super Caddie
- Specially designed for international distribution and transport

Standard accessories

- ✓ Caddistar metal wheels Ø125 mm
- ✓ Round handle
- ✓ Plain backflap
- ✓ Zinc-plated coating
- ✓ Bag hook
- ✓ Corner protection

Accessories and added values

- separating grid
- Advertising sign / Plastic kit
- Child seat backflap / Silence kit
- Caddiroc coating
- Euroloc handle / coin lock
- Ovaly handle / coin lock

SAGAR

caddie
France 1928

RAL
3000

RAL
5002

RAL
7016



CADERGO SECURITY

Reference : 7 797 32
Option: 1 baby seat



Volume (in L)

The Cadergo Security has a capacity of 180L



Weight (in kg)

Cadergo Security has a mass of 28 kg.



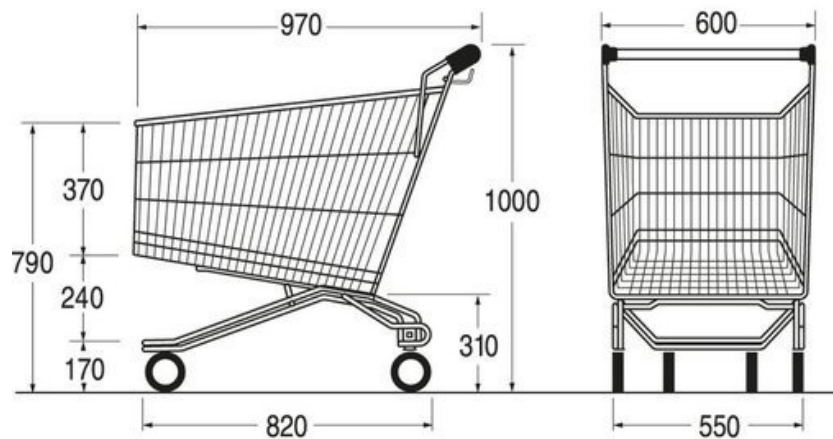
Load capacity (in kg)

Cadergo Security has a load capacity of 180 kg.



Nesting (in mm)

Cadergo Security has a nesting distance of 250 mm and for 10 trolleys of 3220 mm.



Product description

- One-piece construction
- Finish: Varnished zinc-coated steel
- 4 Caddistar Ø125mm swivel wheels
- The international reference
- Ideal for shops over 1500m².
- Trolley based on the Super Caddie
- Specially designed for international distribution and transport

Standard accessories

- ✓ Caddistar metal wheels Ø125 mm
- ✓ Round handle
- ✓ Plain backflap
- ✓ Zinc-plated coating
- ✓ Bag hook

Accessories and added values

- **Separating grid / Drinks pack holder**
- **Advertising sign / Plastic kit**
- **Child seat backflap / Multifunction / Silence kit**
- **Caddiroc coating**
- **Euroloc handle / coin lock**
- **Ovaly handle / coin lock**

SAGAR

caddie
France 1928

RAL
3000

RAL
5002

RAL
7016



CADERGO SECURITY

Reference : 7 798 32
Option: 1 baby seat



Volume (in L)

The Cadergo Security has a capacity of 210L



Weight (in kg)

The Cadergo Security has a mass of 30 kg.



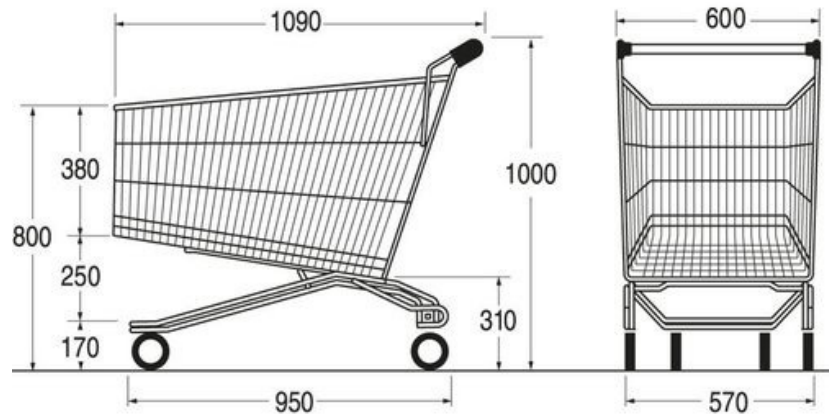
Load capacity (in kg)

Cadergo Security has a load capacity of 210 kg



Nesting (in mm)

Cadergo Security has a nesting distance of 250 mm and for 10 trolleys of 3340 mm.



Product description

- One-piece construction
- Finish: Varnished zinc-coated steel
- 4 Caddistar Ø125mm swivel wheels
- The international benchmark
- Ideal for shops of over 1500m².
- Trolley based on the Super Caddie
- Specially designed for international distribution and transport

Standard accessories

- ✓ Caddistar metal wheels Ø125 mm
- ✓ Round handle
- ✓ Plain backflap
- ✓ Zinc-plated coating
- ✓ Bag hook

Accessories and added values

- Separating grid / Drinks pack holder
- Advertising sign / Plastic kit
- Child seat backflap / Multifunction / Silence kit
- Caddiroc coating
- Euroloc handle / coin lock
- Ovaly handle / coin lock

SAGAR



SAGAR



SUPER CADDIE STANDARD

Reference : 7 769 02



Volume (in L)

The Super Caddie Standard has a capacity of 105L



Weight (in kg)

The Super Caddie Standard has a mass of 16 kg.



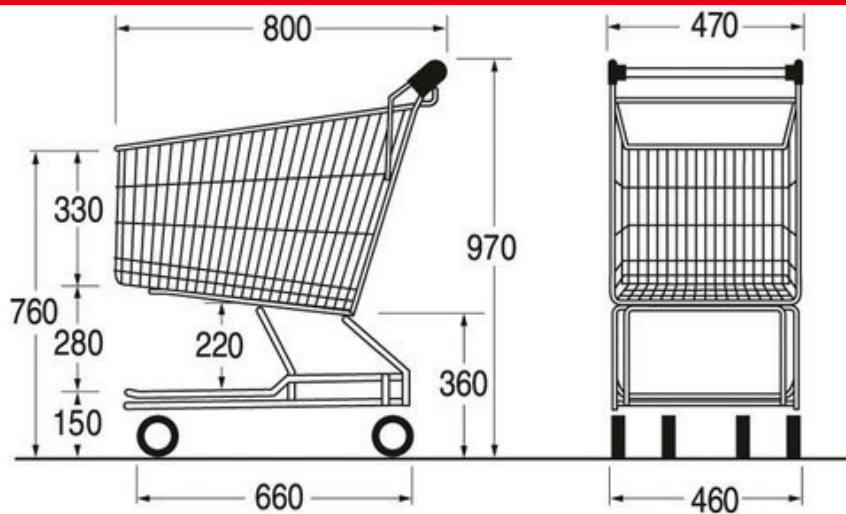
Load capacity (in kg)

The Super Caddie Standard has a load capacity of 105 kg.



Nesting (in mm)

The Super Caddie Standard has a nesting distance of 230 mm and for 10 carts of 2870 mm.



Product description

- One-piece construction
- Finish: Painted zinc-plated steel + plastic
- 4 Caddistar Ø100mm or Ø125mm swivel castors
- The benchmark for over 55 years
- Ideal for stores under 500m².
- Most widely used carts in France
- Built to last, they will meet the most stringent requirements

Standard accessories

- ✓ Caddistar metal wheels Ø100 / 125 mm
- ✓ Round handle
- ✓ Plain backflap
- ✓ Zinc-plated coating
- ✓ Bag hook

Accessories and added values

- **Bottom grid**
- **Advertising sign / Plastic kit**
- **Child seat backflap / Silence kit**
- **Caddiroc coating**
- **Euroloc handle / coin lock**
- **Ovaly handle / coin lock**

SAGAR

caddie
France 1928

RAL
3000

RAL
5002

RAL
7016



SUPER CADDIE STANDARD

Reference : 7 767 25

Option : 1 Babyshell



Volume (in L)

The Super Caddie Standard has a capacity of 125L



Weight (in kg)

The Super Caddie Standard has a mass of 23 kg



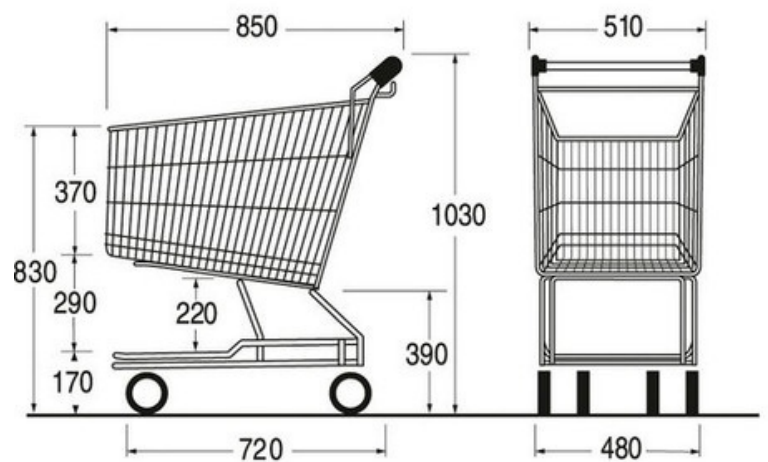
Load capacity (in kg)

The Super Caddie Standard has a load capacity of 125 kg



Nesting (in mm)

The Super Caddie Standard has a nesting distance of 231 mm and for 10 carts of 2929 mm



Product description

- One-piece construction
- Finish: Zinc plated steel
- 4 swivel casters Caddistar Ø125mm
- The reference for over 55 years
- Ideal for stores under 1500m².
- The most used cart in France
- Built to last, they will meet the most severe requirements

Standard accessories

- ✓ Caddistar metal castors Ø125 mm
- ✓ Round handle
- ✓ Plain Backflap
- ✓ Zinc plated coating
- ✓ Bag hook

Accessories and added values

- **Bottom grid / Dividing grid**
- **Advertising sign / Plastic kit / 5th wheel**
- **Child seat backflap / Silence kit**
- **Caddiroc coating**
- **Euroloc handle / coin lock**
- **Ovaly handle / Coin lock**

SAGAR

caddie
France 1928

RAL
3000

RAL
5002

RAL
7016



SUPER CADDIE STANDARD

Reference : 7 767 50



Volume (in L)

The Super Caddie Standard has a capacity of 160L



Weight (in kg)

The Super Caddie Standard has a mass of 24 kg.



Load capacity (in kg)

The Super Caddie Standard has a load capacity of 160 kg.



Nesting (in mm)

The Super Caddie Standard has a nesting distance of 259 mm and for 10 carts of 3271 mm.



Product description

- One-piece construction
- Finish: Painted zinc-plated steel + plastic
- 4 Caddistar Ø125mm swivel castors
- The benchmark for over 55 years
- Ideal for stores under 1500m².
- Most widely used carts in France
- Built to last, they will meet the most stringent requirements

Standard accessories

- ✓ Caddistar metal wheels Ø125 mm
- ✓ Round handle
- ✓ Plain backflap
- ✓ Zinc-plated coating
- ✓ Bag hook

Accessories and added values

- **Bottom grid / Separating grid**
- **Advertising sign / Plastic kit**
- **Child seat backflap / Silence kit**
- **Caddiroc coating**
- **Euroloc handle / coin lock**
- **Ovaly handle / coin lock**



SAGAR





SUPER CADDIE STANDARD

Reference : 7 767 80

Option : 1 Babyshell



Volume (in L)

The Super Caddie Standard has a capacity of 180L



Weight (in kg)

The Super Caddie Standard has a mass of 27 kg



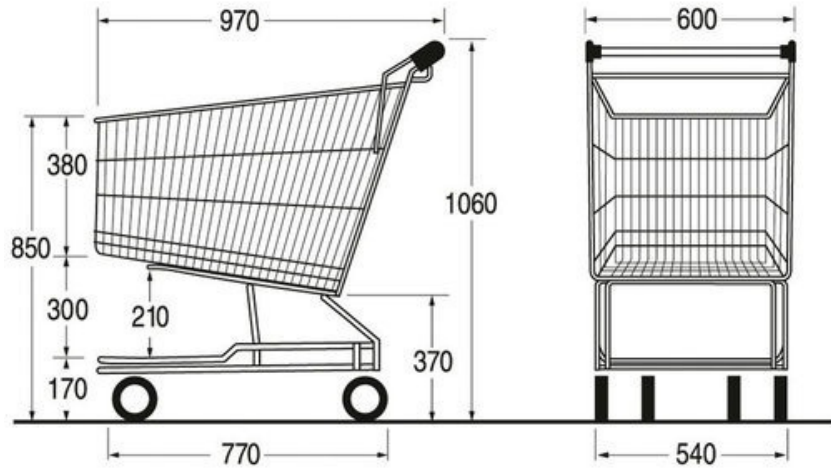
Load capacity (in kg)

The Super Caddie Standard has a load capacity of 180 kg



Nesting (in mm)

The Super Caddie Standard has a nesting distance of 249 mm and for 10 carts of 3211 mm



Product description

- One-piece construction
- Finish: Zinc plated steel
- 4 swivel casters Caddistar Ø125mm
- The reference for over 55 years
- Ideal for stores of more than 1500m².
- The most used cart in France
- Built to last, they will meet the most severe requirements

Standard accessories

- ✓ Caddistar metal castors Ø125 mm
- ✓ Round handle
- ✓ Plain Backflap
- ✓ Zinc plated coating
- ✓ Bag hook

Accessories and added values

- **Drink pack holder**
- **Bottom grid / Dividing grid**
- **Advertising sign / Plastic kit**
- **Child seat backflap / Multifunction / Silent kit**
- **Caddiroc coating**
- **Euroloc handle / Coin lock**
- **Ovaly handle / Coin lock**

RAL 3000

RAL 5002

RAL 7016

SAGAR

caddie
France 1928



SUPER CADDIE STANDARD

Reference : 7 767 90

Option: 1 baby seat



Volume (in L)

The Super Caddie Standard has a capacity of 210L



Weight (in kg)

The Super Caddie Standard has a mass of 28 kg.



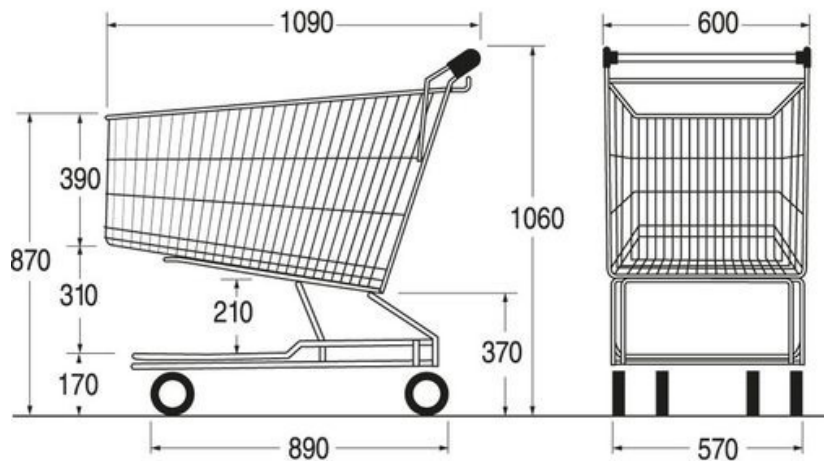
Load capacity (in kg)

The Super Caddie Standard has a load capacity of 210 kg.



Nesting (in mm)

The Super Caddie Standard has a nesting distance of 246 mm and for 10 carts of 3304 mm.



Product description

- One-piece construction
- Finish: Painted zinc-plated steel + plastic
- 4 Caddistar Ø125mm swivel castors
- The benchmark for over 55 years
- Ideal for stores over 1500m².
- Most widely used carts in France
- Built to last, they will meet the most stringent requirements

Standard accessories

- ✓ Caddistar metal wheels Ø125 mm
- ✓ Round handle
- ✓ Plain backflap
- ✓ Zinc-plated coating
- ✓ Bag hook

Accessories and added values

- Beverage pack holder
- Bottom grid / Separating grid
- Advertising sign / Plastic kit
- Child seat backflap / Multifunction / Silent kit
- Caddiroc coating
- Euroloc handle / coin lock
- Ovaly handle / coin lock

SAGAR





SUPER CADDIE SECURITE

Reference : 7 770 10

Option: 1 baby seat



Volume (in L)

The Super Caddie Sécurité has a capacity of 240L



Weight (in kg)

The Super Caddie Sécurité has a mass of 29 kg.



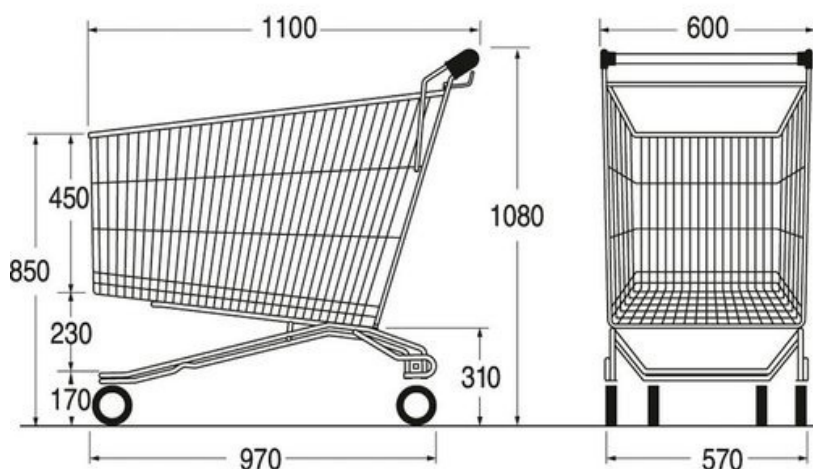
Load capacity (in kg)

The Super Caddie Sécurité has a load capacity of 240 kg.



Nesting (in mm)

The Super Caddie Sécurité has a nesting distance of 230 mm and for 10 carts of 3230 mm.



Product description

- One-piece construction
- Finish: Painted zinc-plated steel + plastic
- 4 Caddistar Ø125mm swivel castors
- The benchmark for over 55 years
- Ideal for stores over 1500m².
- Most widely used cart in France
- Perfect safety for greater shopping comfort

Standard accessories

- ✓ Caddistar metal wheels Ø125 mm
- ✓ Round handle
- ✓ Plain backflap
- ✓ Zinc-plated coating
- ✓ Bag hook

Accessories and added values

- Beverage pack holder / Case support
- Separating grid
- Advertising sign
- Child seat backflap / Multifunction / Silence kit
- Caddiroc coating / Plastic kit
- RelaxT handle
- Ovaly handle / Euroloc / coin lock

SAGAR



SAGAR

UNITED ARAB EMIRATES

B 112, Al Nazir Plaza,
PO Box No: 4046,
Mowaihat, Ajman - UAE
Mob: +971 55 367 4847,
+971 56 933 8686,
+971 56 716 4304
Email: info@sagartradingllc.com

KINGDOM OF BAHRAIN

Tubli, Shop No. 635Z ,
CR No. 132905,
Kingdom of Bahrain
Mob: +973 3950 0427,
+973 3364 6437,
+973 3218 5400
Email: sagarreg2019@gmail.com

REPUBLIC OF INDIA

M G Nagar Main Street,
P.O. 680020
Thrissur, Kerala, India
Mob: +91 6238 696 289
+91 9567415268,
+91 8129242289
Email: sagarindiaretail@gmail.com

360° solutions